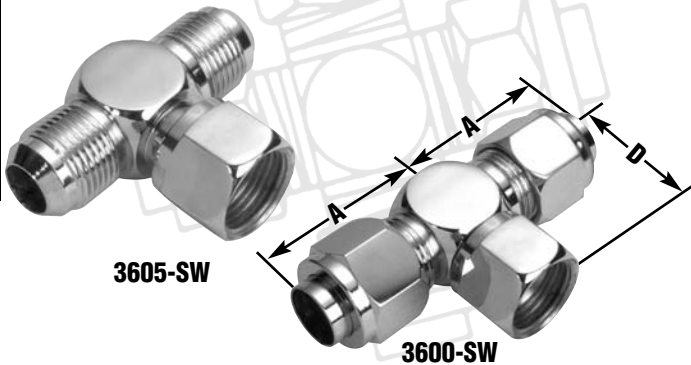


# 37° FLARE TUBE FITTINGS

T A P E R E D P I P E T H R E A D

## 3605-SW / 3600-SW

**SWIVEL NUT BRANCH TEE FLARE TUBE END  
-FLARE TUBE END - J.I.C. SWIVEL SIDE OUTLET**



3605-SW

3600-SW

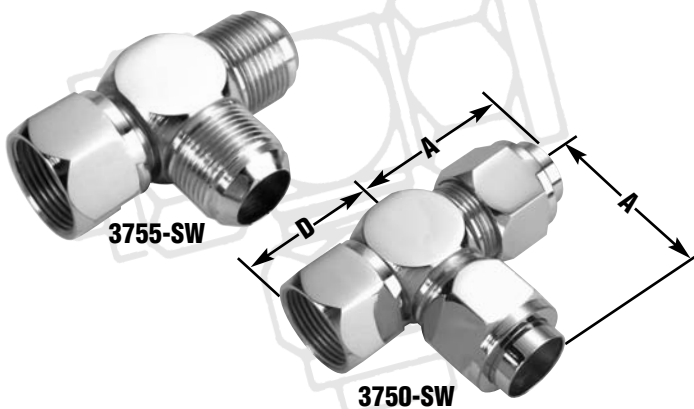
Example of Part No.: 3600-SW-12 for 3/4" O.D. Tubing

## 3605-SW / 3600-SW • Swivel Nut Branch Tee

Body Only Part No.	Complete Assembly Part No.	Tube O.D.	"A" (Tube Leg)	"D" (Swivel Leg)
3605SW-4	3600SW-4	1/4"	19/32"	1"
3605SW-5	3600SW-5	5/16"	13/8"	1 1/16"
3605SW-6	3600SW-6	3/8"	1 17/32"	1 1/4"
3605SW-8	3600SW-8	1/2"	1 25/32"	1 3/8"
3605SW-10	3600SW-10	5/8"	2 3/32"	1 5/8"
3605SW-12	3600SW-12	3/4"	2 1/4"	1 3/4"
3605SW-14	3600SW-14	7/8"	2 7/16"	1 25/32"
3605SW-16	3600SW-16	1"	2 19/32"	2"
3605SW-20	3600SW-20	1 1/4"	2 29/32"	2 5/16"
3605SW-24	3600SW-24	1 1/2"	3 7/16"	2 19/32"
3605SW-32	3600SW-32	2"	4 3/16"	3 3/8"

## 3755-SW / 3750-SW

**SWIVEL NUT RUN TEE FLARE TUBE END  
-J.I.C. SWIVEL END - FLARE TUBE SIDE OUTLET**



3755-SW

3750-SW

## 3755-SW / 3750-SW • Swivel Nut Run Tee

Body Only Part No.	Complete Assembly Part No.	Tube O.D.	"A" (Tube Leg)	"D" (Swivel Leg)
3755SW-4	3750SW-4	1/4"	19/32"	1"
3755SW-5	3750SW-5	5/16"	1 3/8"	1 1/16"
3755SW-6	3750SW-6	3/8"	1 17/32"	1 1/4"
3755SW-8	3750SW-8	1/2"	1 25/32"	1 3/8"
3755SW-10	3750SW-10	5/8"	2 3/32"	1 5/8"
3755SW-12	3750SW-12	3/4"	2 1/4"	1 3/4"
3755SW-14	3750SW-14	7/8"	2 7/16"	1 25/32"
3755SW-16	3750SW-16	1"	2 19/32"	2"
3755SW-20	3750SW-20	1 1/4"	2 29/32"	2 5/16"
3755SW-24	3750SW-24	1 1/2"	3 7/16"	2 19/32"
3755SW-32	3750SW-32	2"	4 3/16"	3 3/8"

## 3105-SW

**MALE PIPE TO 37° FEMALE SWIVEL**



## 3255-SW

**FEMALE PIPE TO 37° FEMALE SWIVEL**



Please indicate size: Example: 3105SW-8-8

## A3105-SW

**O-RING S.A.E. TO 37° FEMALE SWIVEL**



## A3405-SW

**O-RING S.A.E. ADJUSTABLE  
TO 37° FEMALE SWIVEL ELBOW**

